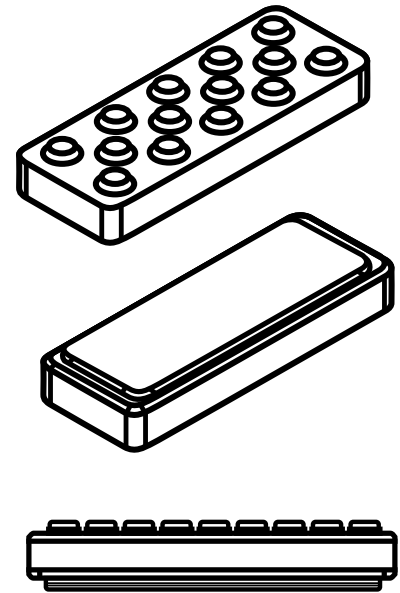




Rubber-backed Ceramic Lagging

Hard ceramic dimples grab rubber of your conveyor for geared drive-effect between conveyor belt and your pulley to eliminate belt slippage.

- » Ceramic-embedded rubber strip
- » Low wearing - 10 x times life of rubber-only lagging
- » Drive/non-drive
- » Maximum grip
- » In-field
- » Optional - brand with your logo
- » Also in half-ceramic
- » Neoprene rubber backing for exceptional adhesion



Rectangular dimple

Arrow dimple

Smooth ceramic

For non-drive pulleys and difficult high wear applications

We welcome your enquiries

(02) 4969 2111 | 0429 916 097 | admin@brainindustries.com.au

Brain Industries (International) Pty Ltd | ABN: 85 610 708 168

brainindustries.com.au